



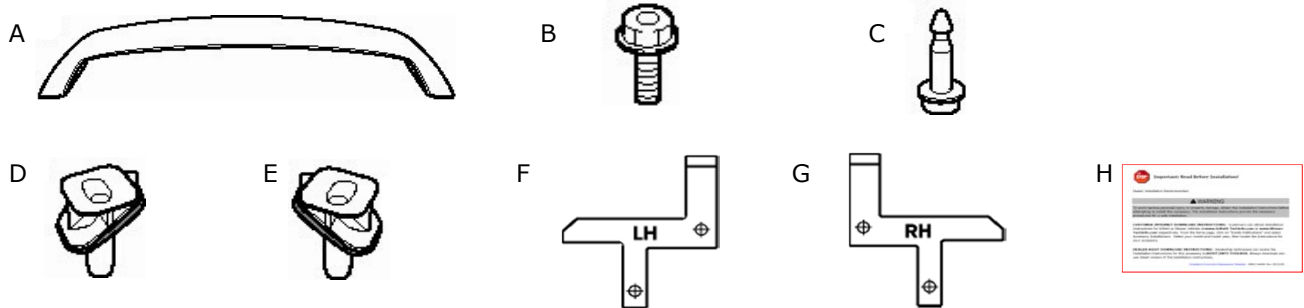
# GENUINE PARTS

## INSTALLATION INSTRUCTIONS

**DESCRIPTION:** Roof Spoiler Kit  
**APPLICATION:** Juke  
**PART NUMBER:** 999J1 63xxx (xxx Designates color)

**KIT CONTENTS:**

Item	Qty.	Part Description	Service Part Number
A	1	Roof Spoiler	---
B	2	Bolt - M6	---
C	2	Clip	---
D	1	Grommet (LH)	---
E	1	Grommet (RH)	---
F	1	Template (LH)	---
G	1	Template (RH)	---
H	1	I/I Replacement Template	---



**TOOLS REQUIRED:**

- Deep Socket & driver 10 mm (25/64")
- Drill
- Debur tool
- Small ruler
- Clean, lint-free wiping cloth
- Clip remover
- Center punch
- Torque wrench
- 3mm (1/8"), 6mm(15/64"),10mm (25/64")Drill bit
- Masking tape
- Rust preventative (P/N 999MP-9G001P)
- 90% or greater alcohol
- Drop Cloth

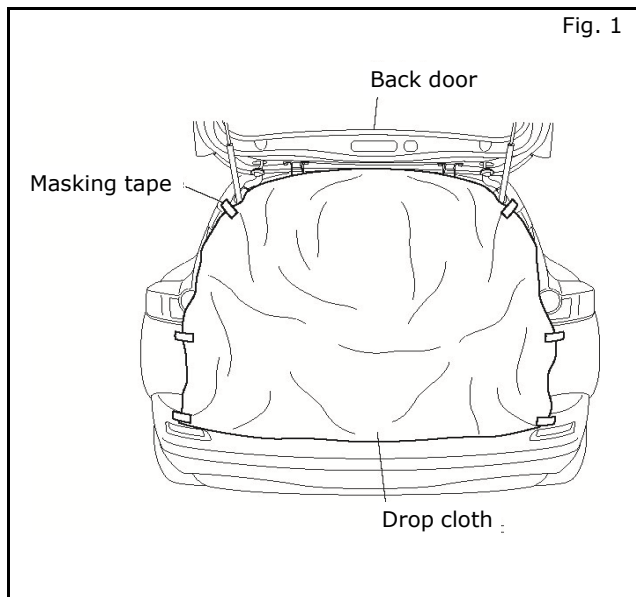
**PRE-INSTALLATION WARNINGS, CAUTIONS, CRITICAL STEPS, and NOTES:**

- Dealer Installation Recommended. Instructions may refer to Service Manual.

**CAUTION**

- Install the Rear spoiler when the ambient temperature is above 60°F (15°C).
- Do not wash or expose the vehicle to a wet environment for 24 hours after installing the rear spoiler.

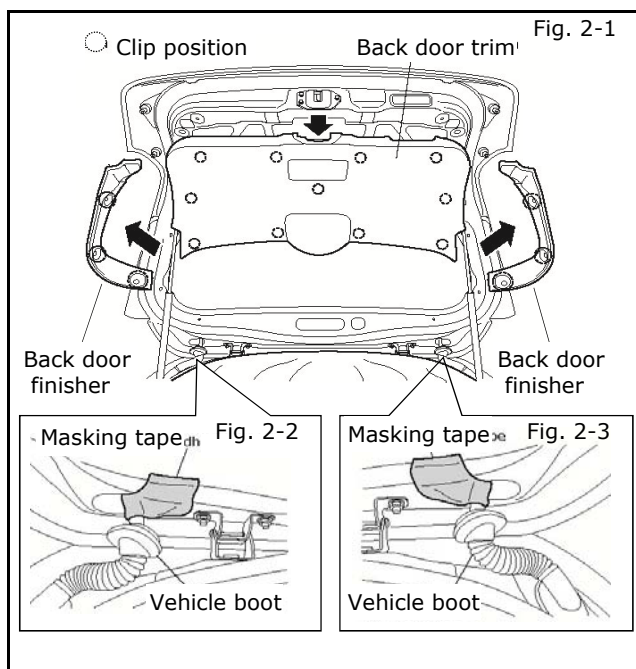
## INSTALLATION PROCEDURE:



- 1) Apply parking brake.
- 2) Put shift lever in "P" position for A/T and CVT or "1st" for M/T
- 3) Affix Drop Cloth
  - a) Open vehicle back door.
  - b) Affix the drop cloth using the Masking tape to protect the luggage room.  
See Fig. 1.

### NOTE:

**Be sure to cover the striker with the drop cloth.**



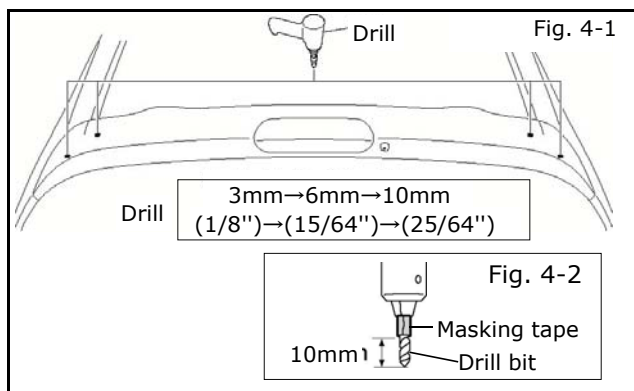
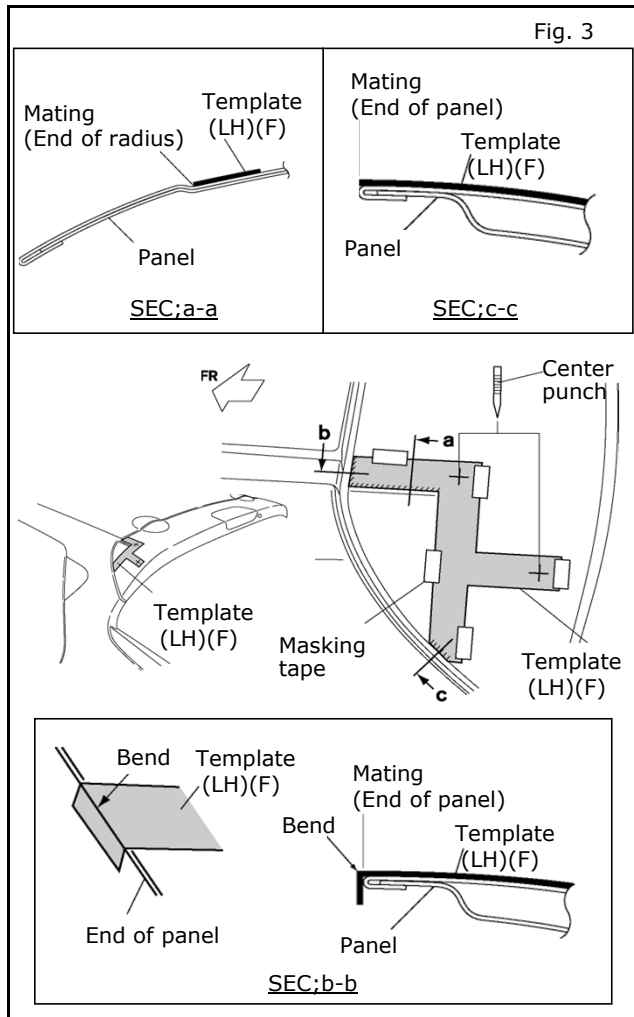
- 4) Remove the vehicle parts
  - a) Remove back door trim.  
See. Fig. 2-1.
  - b) Remove 3 clips and back door finisher on each side.  
See.Fig. 2-1.
  - c) Remove the vehicle boot, and hold harness to hinge side of hole on each side.  
See.Fig. 2-2, Fig. 2-3.

### NOTE:

**The removed vehicle parts are to be reused.  
Be careful not to lose.**

- d) Pull back door down.

## INSTALLATION PROCEDURE:

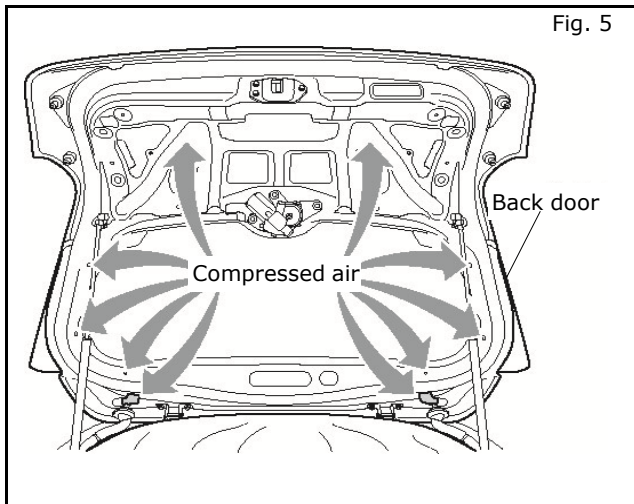


- 5) Align the template
  - a) Align the template(LH)(F) at the back door hatch opening.  
See Fig. 3.
  - b) Apply masking tape, to hold the template(LH)(F) in place.  
See Fig. 3.
  - c) Punch the center of the (+)-slit of the template (LH)(F) using the center punch. (2 places)  
See Fig. 3.
  - d) On the right side, align template (RH)(G) and punch in the same steps (g) to (i).
  
- 6) Drilled holes
  - a) Wrap masking tape around 3mm (1/8"), 6mm (15/64") and 10mm (25/64") drill bits, approximately 10mm from the tip.  
See Fig. 4-2.
  - b) Drill 3mm (1/8") → 6mm (15/64") → 10mm (25/64") holes at the 4 marked locations on the back door.  
See Fig. 4-1.
  - c) Remove any sharp edges from the drilled holes with a debur tool.

### ⚠ CAUTION

- Confirm that the harness is not in the way before you drill.
- Use debur tool with care regard to the hole diameter.

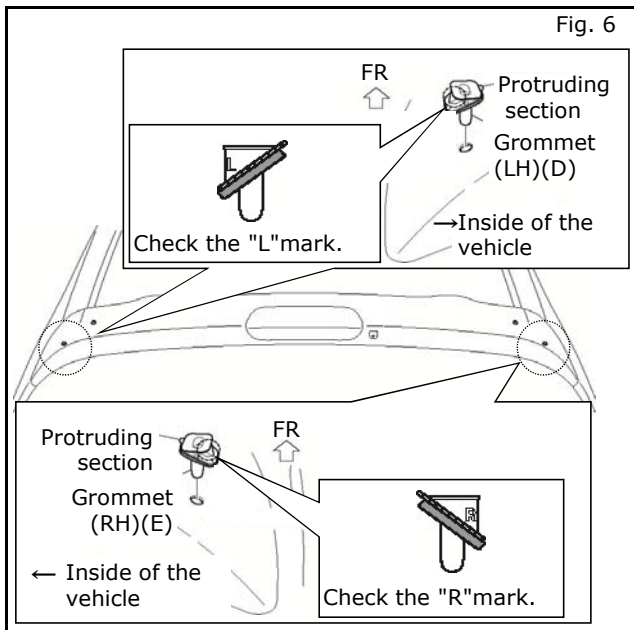
## INSTALLATION PROCEDURE:



- 7) Compressed air
  - a) Open back door.
  - b) Remove metal shavings from inside back door with the air compressor and blowgun. See Fig. 5.
  - c) Pull back door down.
  - d) Apply rust preventative (P/N 999MP 9G001P) to the drilled holes. Let area dry thoroughly.

### **CAUTION**

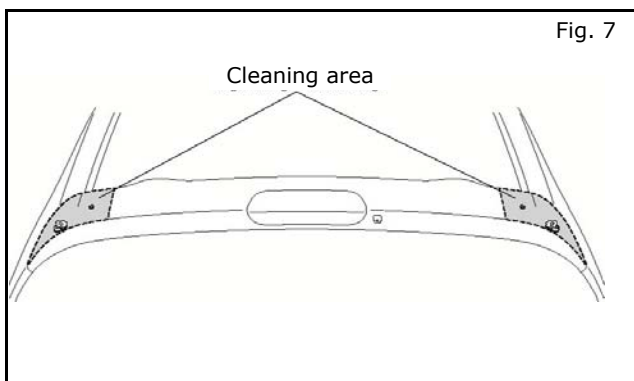
- Failure to apply rust preventative will result in red rust.



- 8) Insert grommets
  - a) Insert the protruding section of the grommet (LH)(D) / grommet (RH)(E) into the drilled holes. (2 places) See Fig. 6.

#### **NOTE:**

**Grommets are left and right hand specific identified by L & R.  
See Fig. 6.**

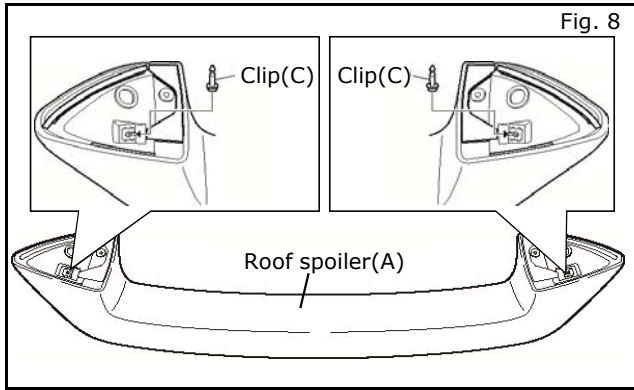


- 9) Mounting surface cleaning
  - a) Using a clean, lint free cloth and 100% alcohol, wipe any dirt and oil from the mounting surface. Let area dry thoroughly. See Fig. 7.

### **CAUTION**

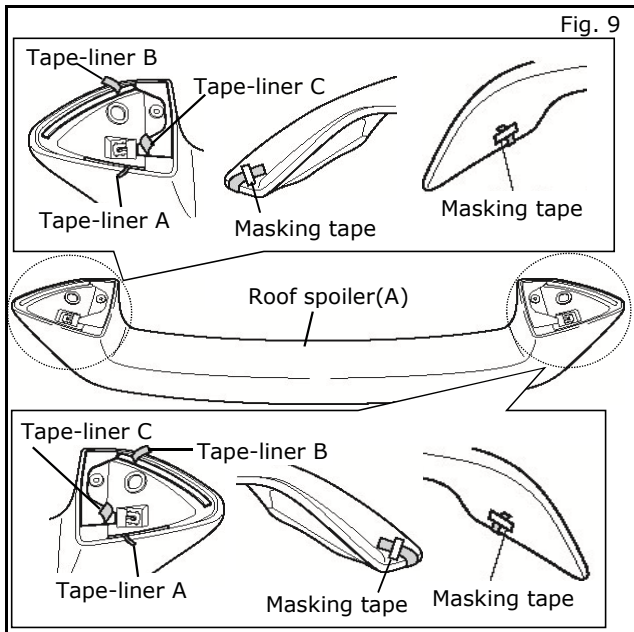
- Do not remove rust preventative when cleaning.

## INSTALLATION PROCEDURE:



### 10) Roof spoiler Installation

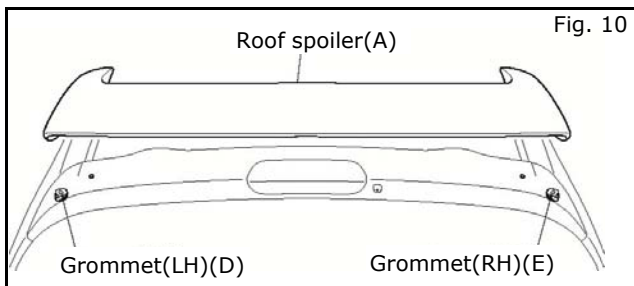
- a) Insert and install the clip(C) by sliding it to the bracket on the backside of the roof spoiler (A). See Fig. 8.



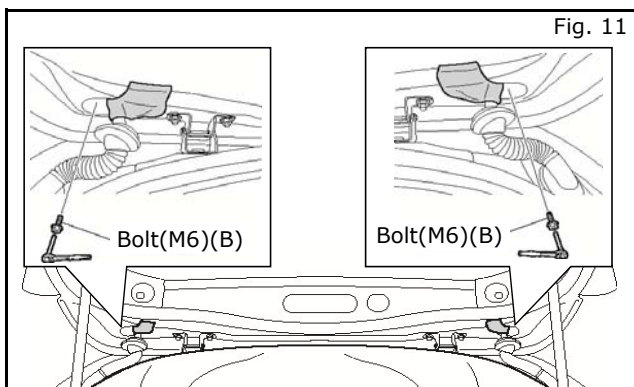
- b) Remove approximately 30mm of tape liner A and B from double-sided tape on the roof spoiler(A) . See Fig. 9.

- c) Fold tape liner onto the roof spoiler(A) surface and apply masking tape to ensure that the tape liner is accessible. See Fig. 9.

- d) Remove tape liner C from double-sided tape on the roof spoiler(A).

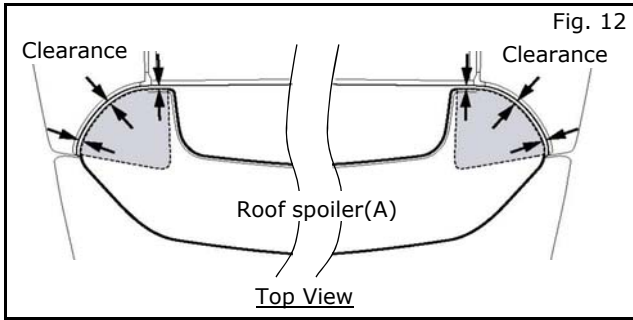


- e) Fully insert the clip(C) on the backside of the roof spoiler(A) into the grommet (LH)(D) /(RH)(E) until you hear the click sound. See Fig. 10.

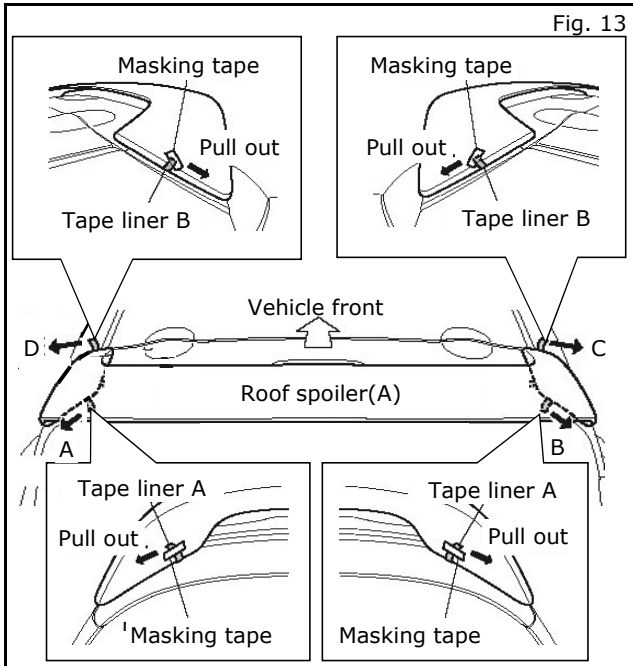


- f) Open back door.
- g) Check to confirm nut insert on spoiler align with drilled hole. Adjust spoiler as necessary for proper alignment.
- h) Loosely install bolts(B) into the nuts. See Fig.11.

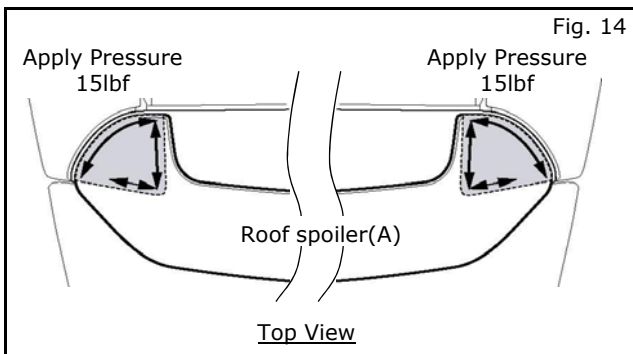
**INSTALLATION PROCEDURE:**



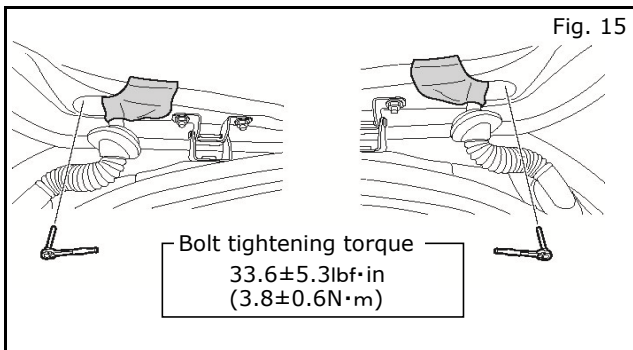
- i) Pull back door down.
- j) Check that the clearance at left and right hand is same.  
See Fig. 12.



- k) Pull out the tape liner A.  
Then push tape A toward vehicle front.
- l) Pull out the tape liner B.  
Then push tape B down.

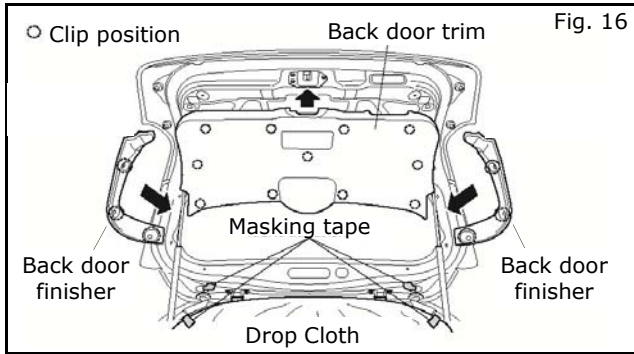


- m) Firmly apply 15lbf pressure to the arrow areas.  
See Fig.14.



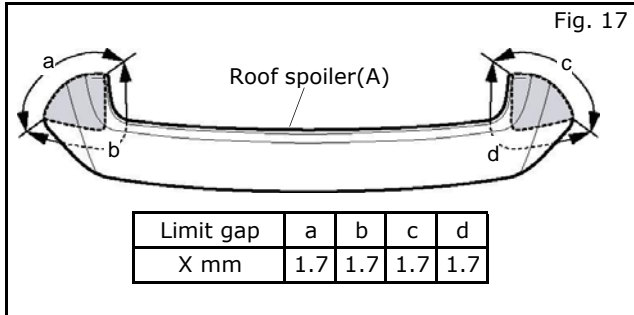
- n) Open back door.
- o) Tighten bolts(B) into the nuts of the back door. (2 locations)  
See Fig.15.

## INSTALLATION PROCEDURE:



m) Reinstall all parts that were labeled reuse, using the reverse of the removal process. See Fig. 16.

n) Pull back door down.



## ACCESSORY CHECK:

- Check gap. See Fig. 17.
- Check all **Critical Installation Steps**.
- Check all **torque** values.

## RE-INSTALLATION OF REMOVED PARTS:

- Re-install all removed vehicle parts. Refer to the vehicle service manual for more details.

## CAUTION

Use caution when re-installing interior components to avoid damage, scratches, or breaking of mounting clips. Refer to the vehicle service manual for more information.

## FINAL INSPECTION:

- Verify re-installed trim parts for proper flush fit
- Verify all clips are fully engaged and locked.
- Verify re-installed trim parts are free from cracks, scratches or stress marks.
- Verify vehicle headliner, seat, steering wheel, center console, floor carpets, etc. are not soiled.
- Verify interior and exterior is not damaged.
- Place the Owner Manual, Quick Reference Guide, and/or other Manual in the glove box.